

The Range Collection

A modern, modular seating system with sink-in comfort



Category: Furniture & Lighting

Subcategory: Home & Living

Manufactured by: Burrow

Designed by: Evan Clabots

Developed by: Burrow

The Range Collection



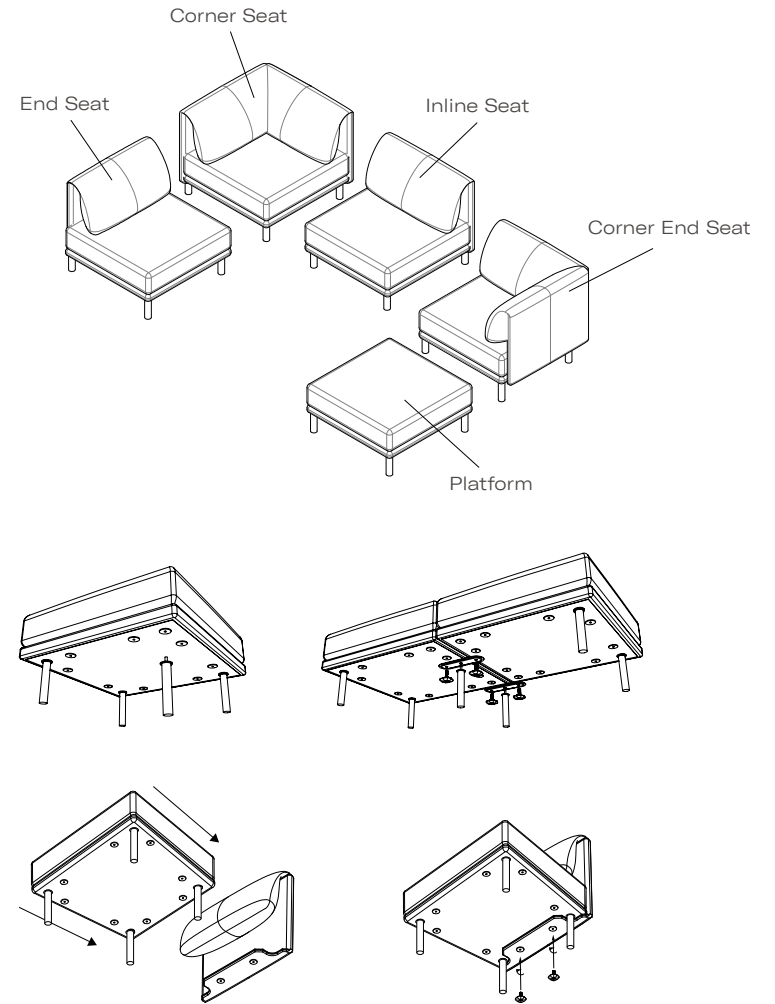
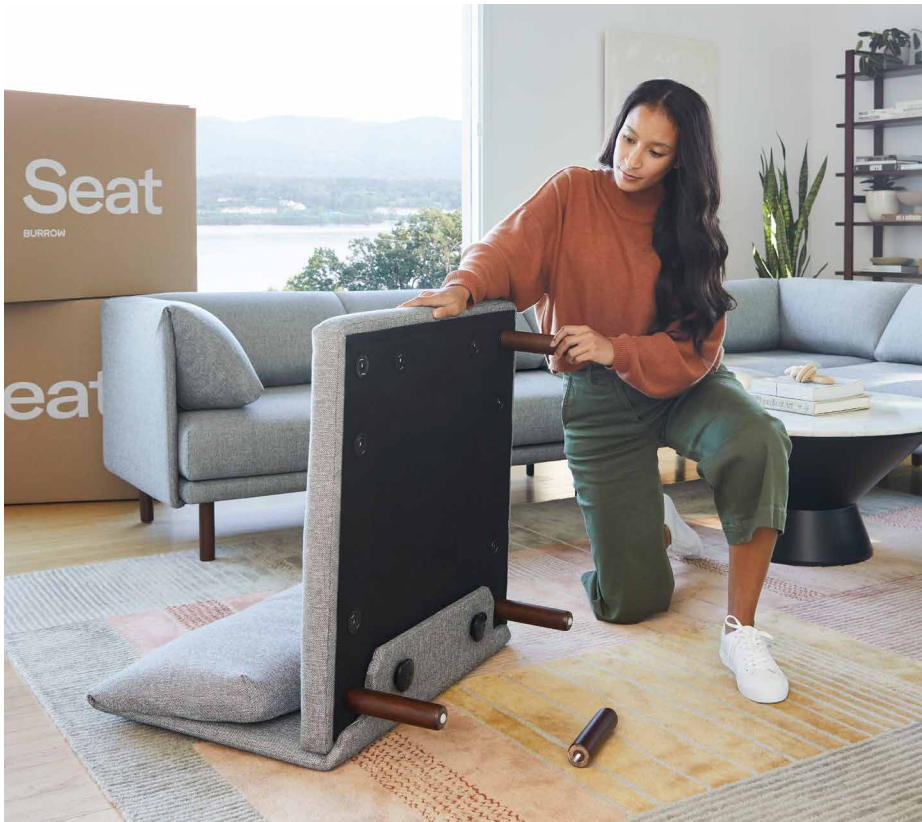
Burrow is an NYC-based direct-to-consumer furniture company, and their newest modular seating system, the Range Collection, is a major step forward in furniture innovation. The collection was developed to address five core considerations:

- 1. Universal parts**
- 2. Efficient shipping**
- 3. Simple assembly**
- 4. Limitless customization**
- 5. Contemporary comfort**

Together, the result is an intuitive, adaptable, and stylish toolkit our customers can use to imagine their own custom sofa.

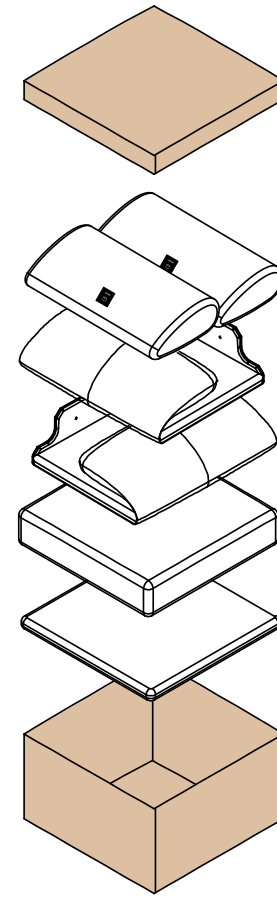
Universal parts

A single, standard base platform is the foundation of the entire system. It's a thin, rigid square that has a grid of threaded connections on the bottom, which allows the platform to connect with any other module and serve as a seat, corner unit, or ottoman. The same threaded connections are used, along with an ergonomic custom handscrew, to attach back panels and armrests. This standardized duo unlocks countless possible configurations.



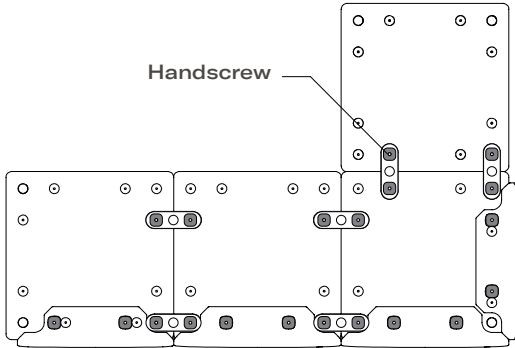
Efficient shipping

As a direct-to-consumer company, we forego “white-glove” service to save our customers time and money. This means our design process is constrained by parcel size limits. To fit the components of the Range system in a box, the frame is as thin and strong as possible, to maximize volume for the cushions.



Simple assembly

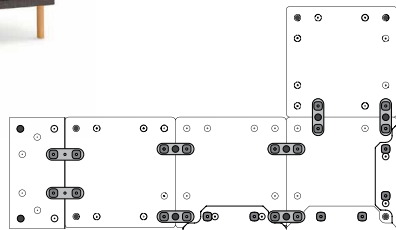
The ergonomic handscrew makes it possible for people of all ages and abilities to unpack and set up their new furniture, without any tools. And, it's just as easy to take apart, so people can move, reconfigure, or expand their sectional whenever they please.



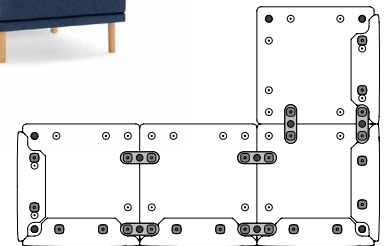
Bottom View of Assembled Sofa

Limitless customization

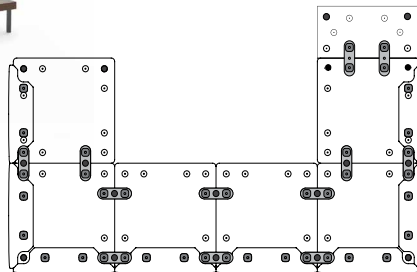
Modular furniture is inherently customizable, and the Range system allows customers to create the custom sofa of their dreams right out of the gate. There are also a series of expansions and upgrades, like integrated tables, that take advantage of the universal connection system.



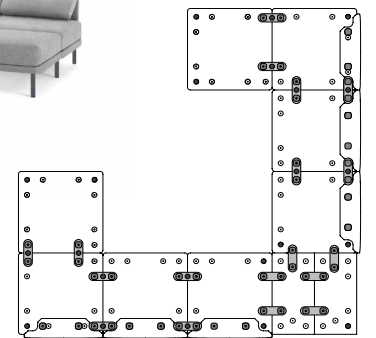
Bottom View of Assembled Sofa



Bottom View of Assembled Sofa

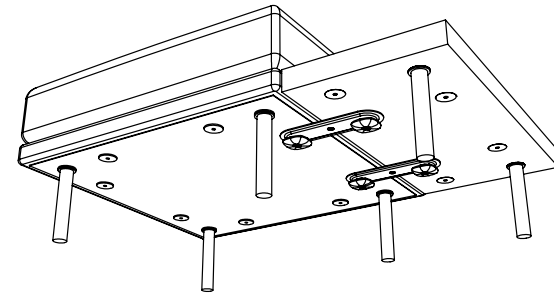


Bottom View of Assembled Sofa

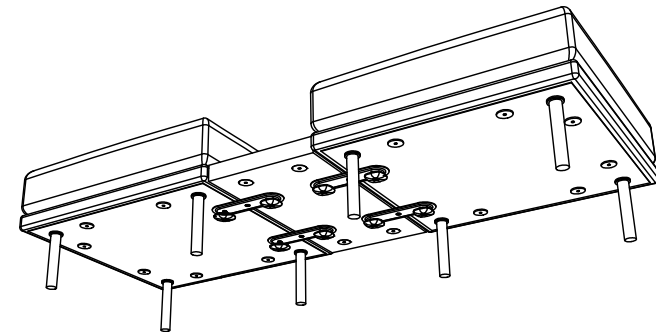


Bottom View of Assembled Sofa

Limitless customization

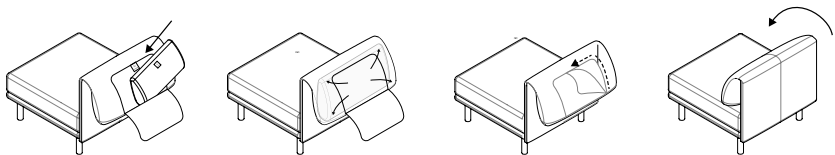
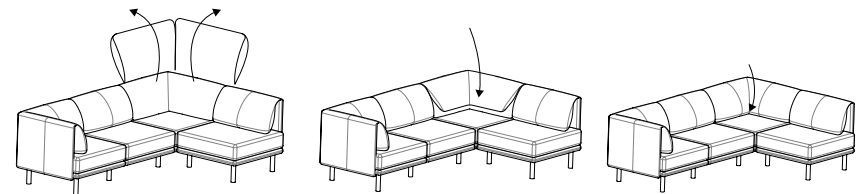
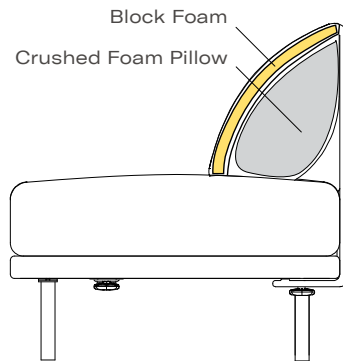


Tables can be added at the end of open seating units or inline between seat modules



Contemporary comfort

We sought to balance a clean, contemporary form with plush, comfortable cushions. We accomplished that with a hybrid foam construction, composed of a structured outer layer and a soft, crushed inner fill. And because the thin frame allows us to dedicate more of the box space to the cushions, we don't need to vacuum pack anything, which makes it soft and ready to sit straight out of the box.



Contemporary comfort



Thank you for your consideration



Contact: LT Taylor | Sr. Director, Communications

Address: 15 W. 27th Street, 7th Floor | New York, NY 10001

Phone number: +1 201-919-8252

Website: burrow.com