

B



FIRE

+

FOOD



OUR ETHOS

Bringing people together around fire and food. Built to be tough and rugged, just like the men and women of the outdoors. Born in the Montana wilderness, the Burch Barrel is the perfect tool for the devoted griller, outdoor adventurer, hunter, fisherman, beachcomber, sporting enthusiast and more.



INTRODUCING THE BURCH BARREL

It's more than your average grill. It easily converts into a firepit so you can relax by the fire after a great meal. It boasts a wide array of features for avid grilling enthusiasts including the ability to smoke, use charcoal or wood, adjust the height of the fire pan for Goucho Style grilling, and many more.

FIREPIT



GRILL



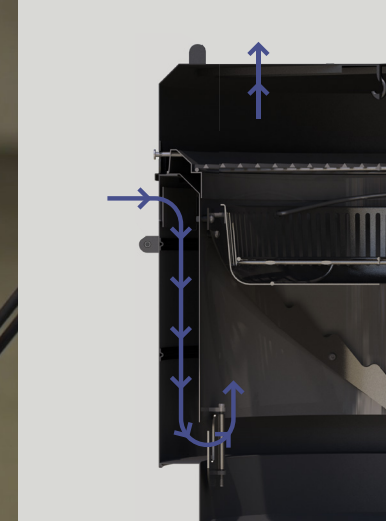
SMOKER





STOKER VENT SYSTEM

WITH WALL COOLING AIRFLOW AND A SEALED BOTTOM FOR PROTECTION AGAINST COALS FALLING OUT



LID/GRILL LIFT SYSTEM

EASY ACCESS TO THE COALS



ADJUSTABLE FIREPAN

FOR WOOD OR CHARCOAL



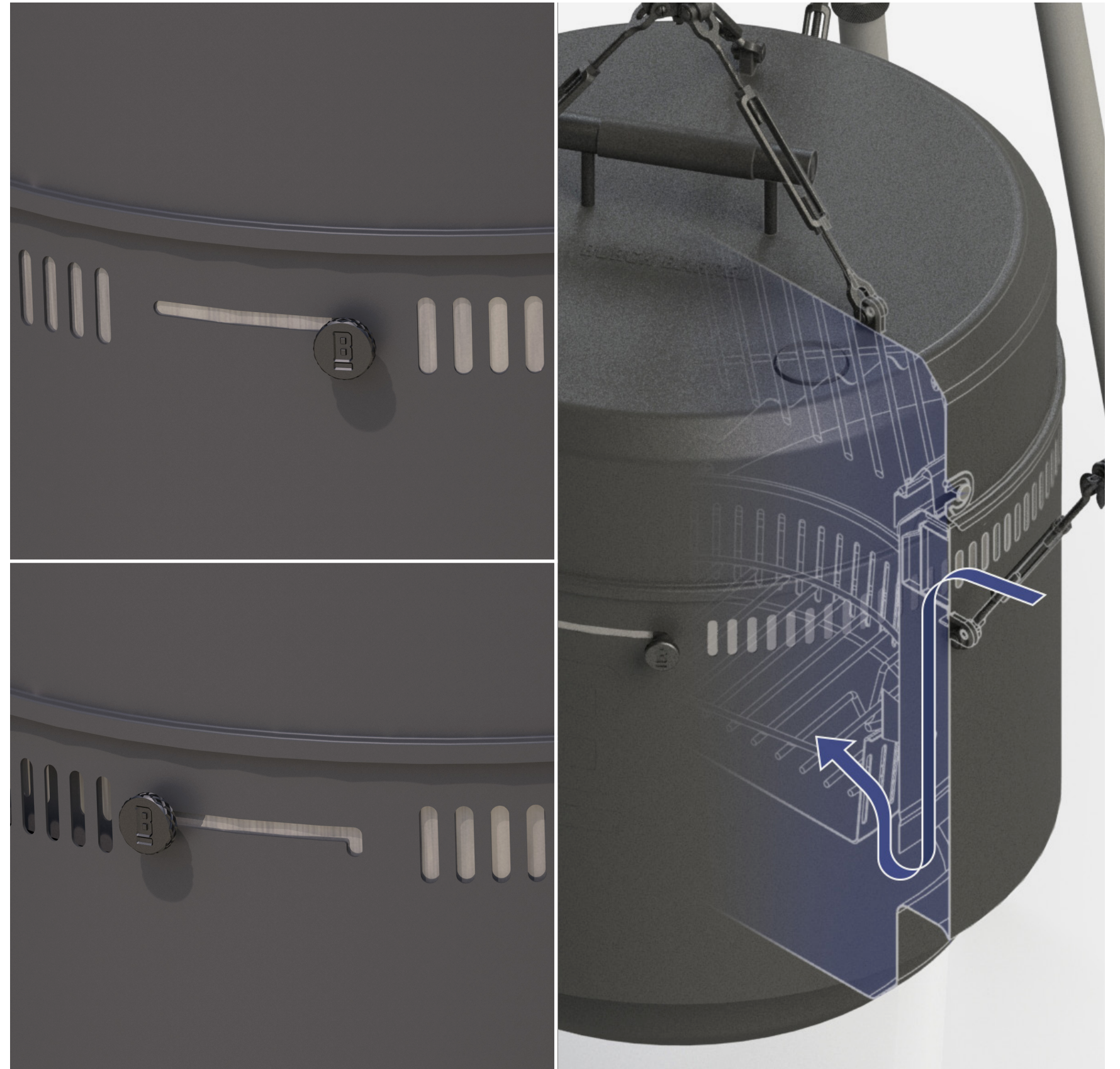
ADJUSTABLE HEIGHT

LEVEL THE BARREL FROM STANDING HEIGHT



STOKER VENT SYSTEM

WITH WALL COOLING AIRFLOW AND A SEALED BOTTOM
FOR PROTECTION AGAINST COALS FALLING OUT



■ The patented air flow system brings air in from the top of the barrel. The incoming air cools the outer wall and keeps the bottom sealed to keep the coals from falling out.

LID/GRILL LIFT SYSTEM

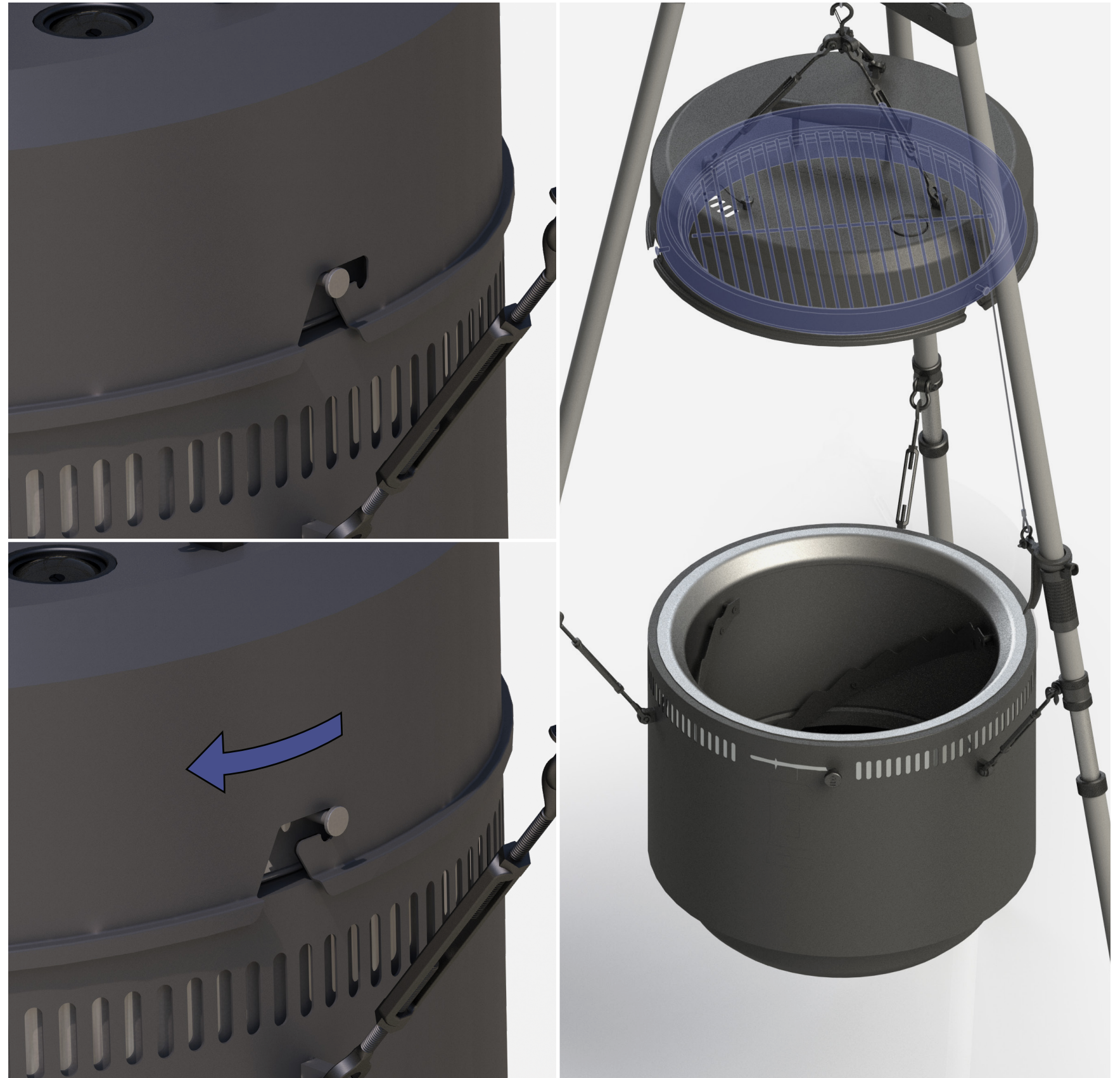
EASY ACCESS TO THE COALS



■ The lid/grill lift system allows the user to raise the lid for quick access. The position of the lid is held in place by the pistol grip slider, which automatically holds the lid in place when it is released.

GRILL LOCKING SYSTEM

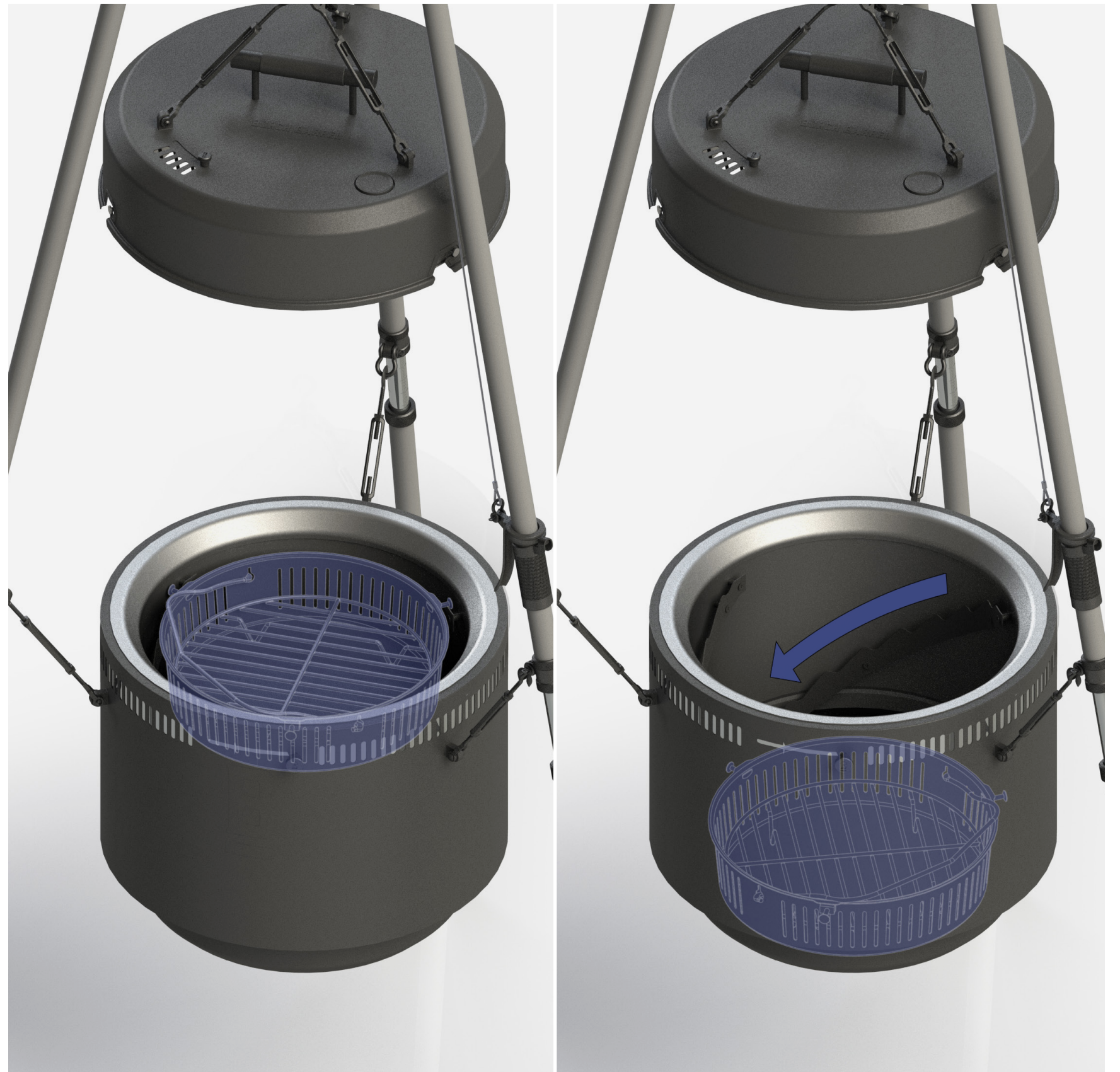
EASY ACCESS TO THE COALS



The lid/grill lift system can also pick up the grill grate to give access to the inside of the barrel. By twisting the lid by its' handle the grill grate is captured and can be lifted for easy access to the coal pan or to get food out of a flare up quickly.

ADJUSTABLE FIREPAN

FOR WOOD OR CHARCOAL



■ The firepan height can be adjusted by rotating it up or down the stepped tracks. It has nine height settings over a 12" range. This allows adjustment to the perfect height setting for wood or charcoal cooking styles.

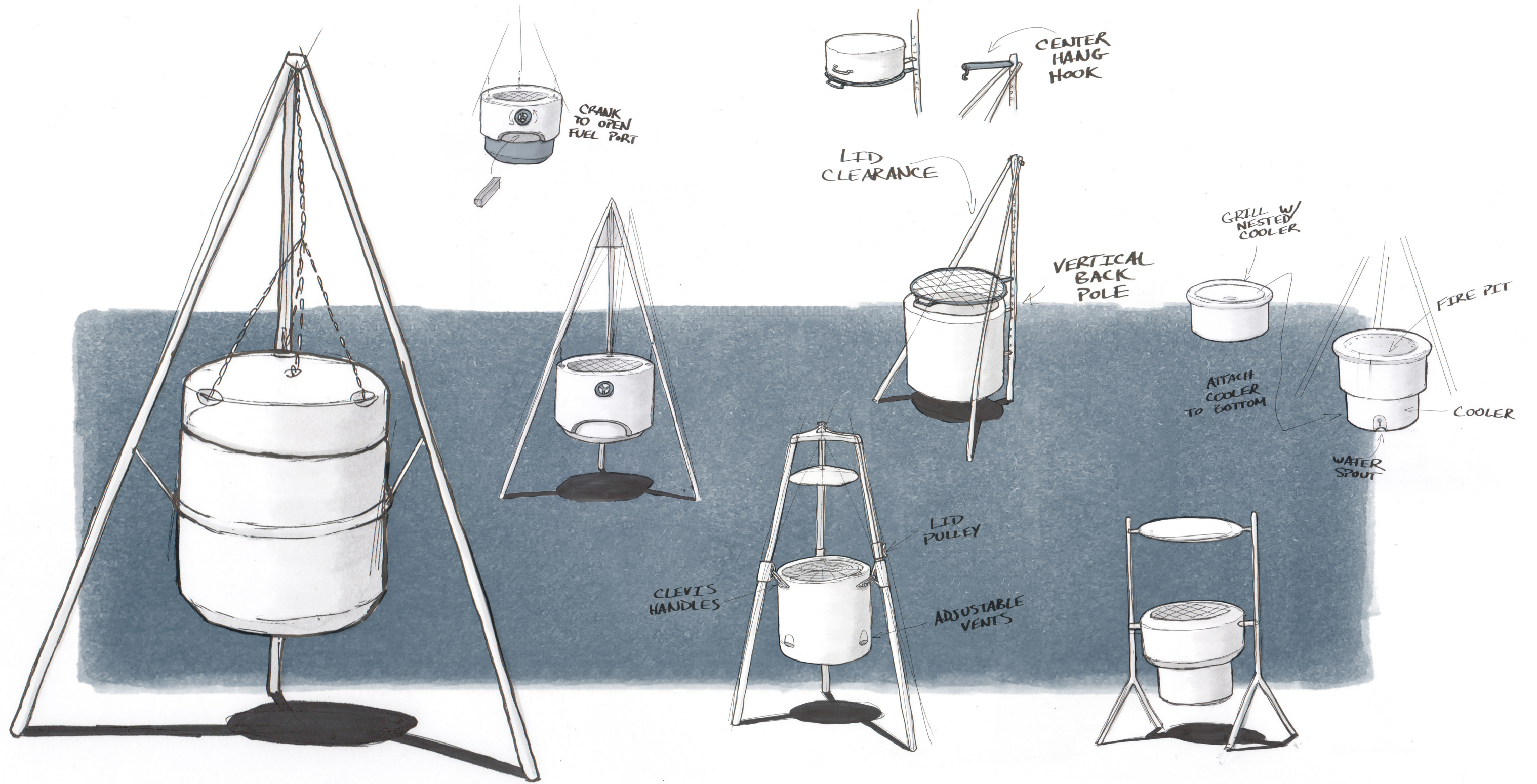
ADJUSTABLE HEIGHT

LEVEL THE BARREL FROM STANDING HEIGHT



The legs are adjustable over a 4" range. They can be adjusted without bending over. This allows the barrel to be set up easily on any terrain.

CONCEPT SKETCHES



CONCEPT DEVELOPEMENT

01



02



03



04



05



06



07



08



09



10



11



12



13



PARTS + ASSEMBLY

