



ELECTRORUN
SAFETY WRENCH





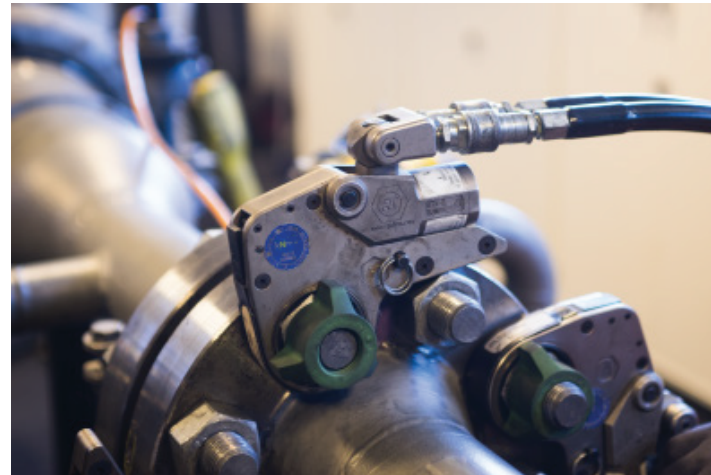


Time efficiency



Loose parts

Manual labour



Lack of feedback

GOALS



Quick run of the nut



High torque load tightening



Secure tool on flange



GOALS



Safer
Timesaving
Less loose parts
Less manual labour





NEW FEATURES



Grip zones



Safety flaps



Electric nut runner



Smart feedback

HANDLING

Grip areas





Approx. **5kg**

MAIN GRIP







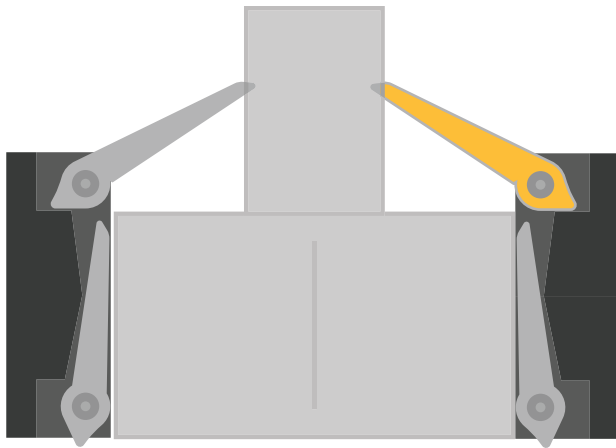
SECONDARY GRIPS



ATTACHING THE TOOL

Safety flaps







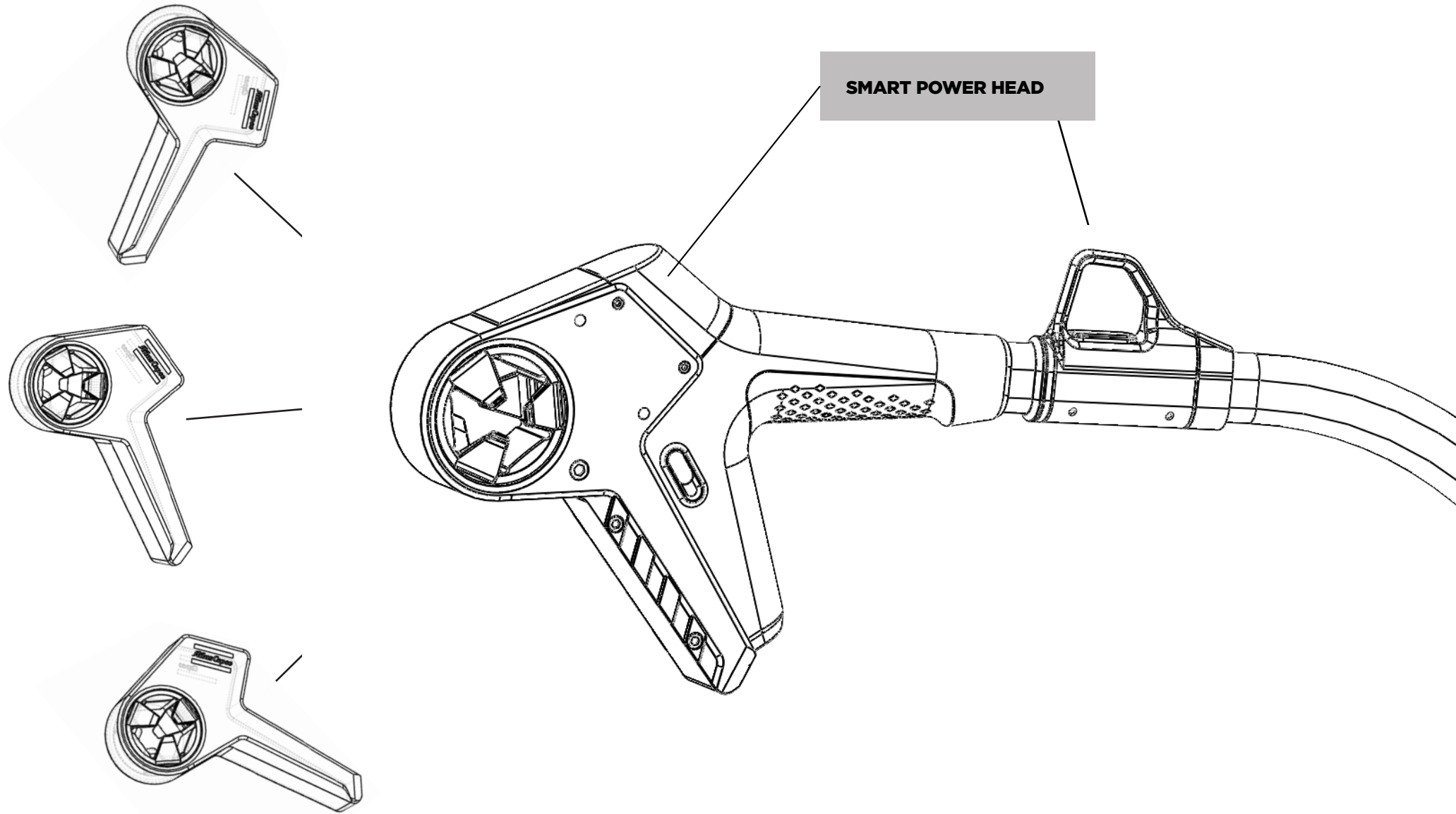




RUNNING THE NUT DOWN

Electrorun motor





SMART POWER HEAD

WORKFLOW

Step by step

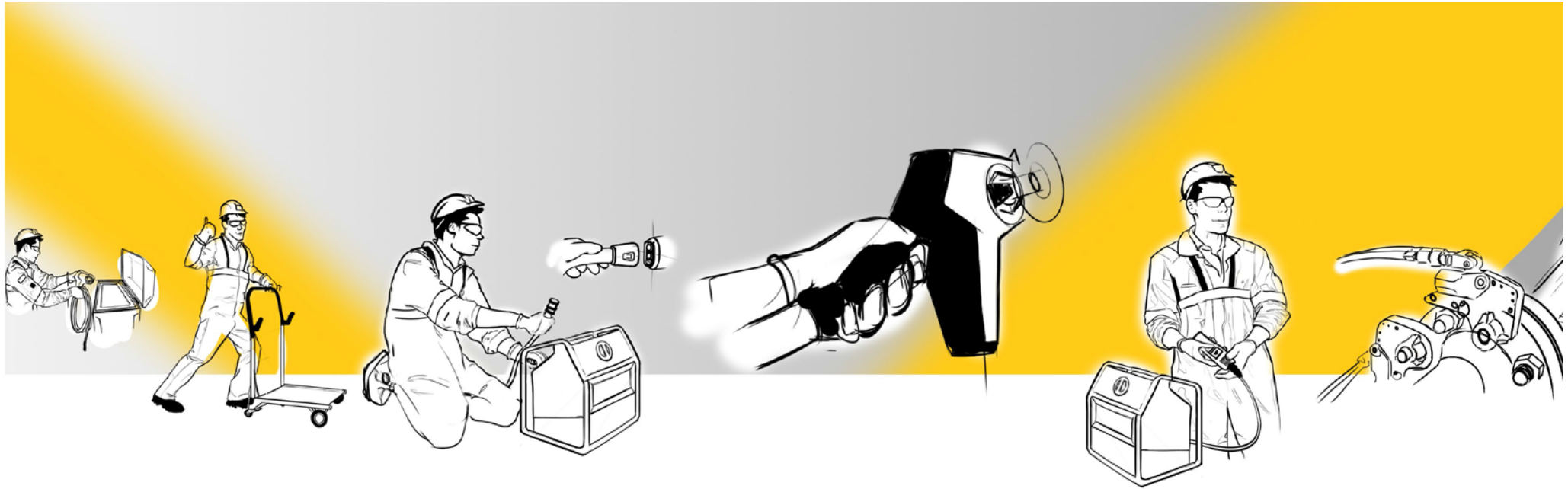
BLUE Tool connected

WHITE

WHITE Waiting

GREEN Confirmation OK

RED Wrong torquing



1.

COLLECT TOOLS

2.

CARRY TOOLS.

3.

PRE SET UP

4.

RUN DOWN

5.

TORQUE.

6.

CROSS PATTERN

