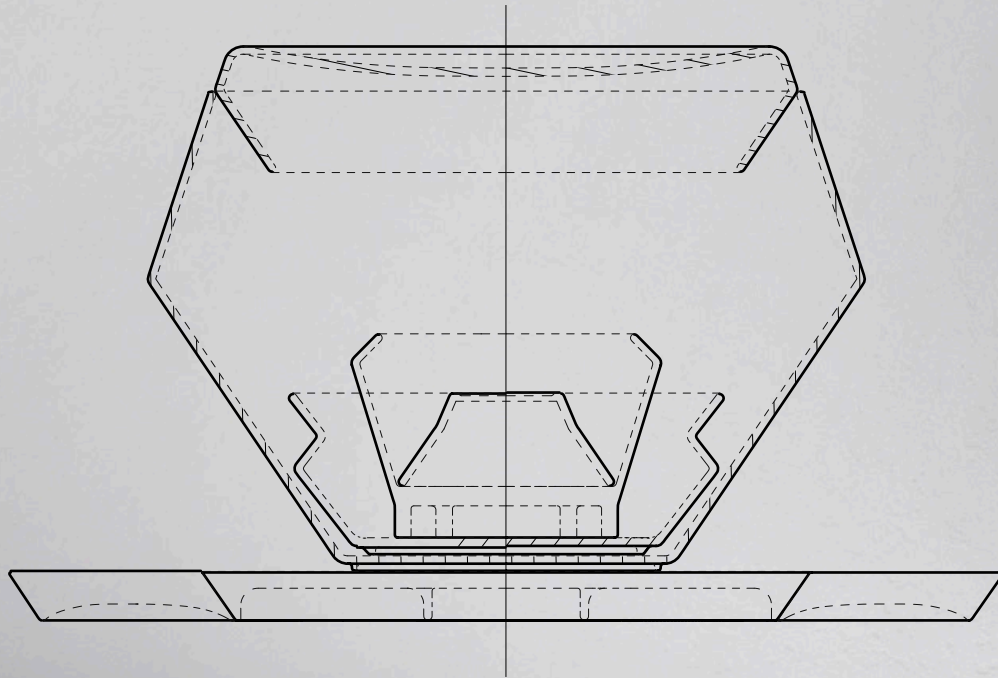


agăpe is a new dining elements collection with a twist;
mixing tradition with today's ways of sharing a meal
with your loved-ones.

Made from different materials, pieces have visual
and tactile characteristics to enhance the dining
experience.

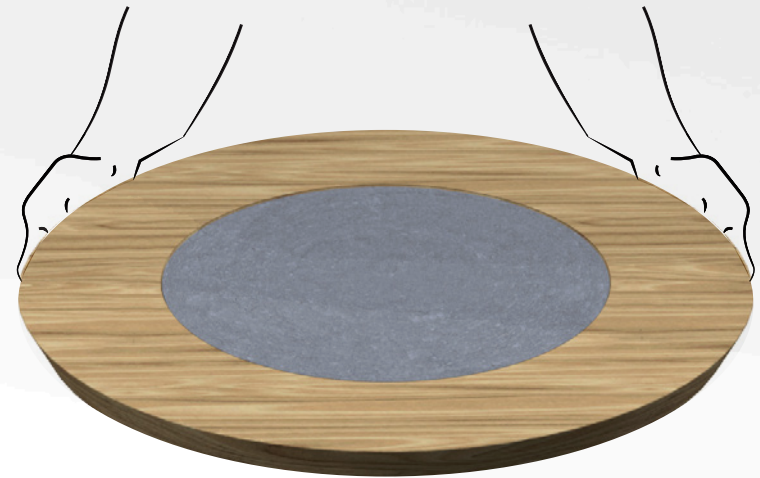


agăpe is a 9 piece set (7 of which fit all-in-one) that perfectly complements any traditional tableware arrangement. All components are dishwasher and microwave friendly except for the wooden tray.



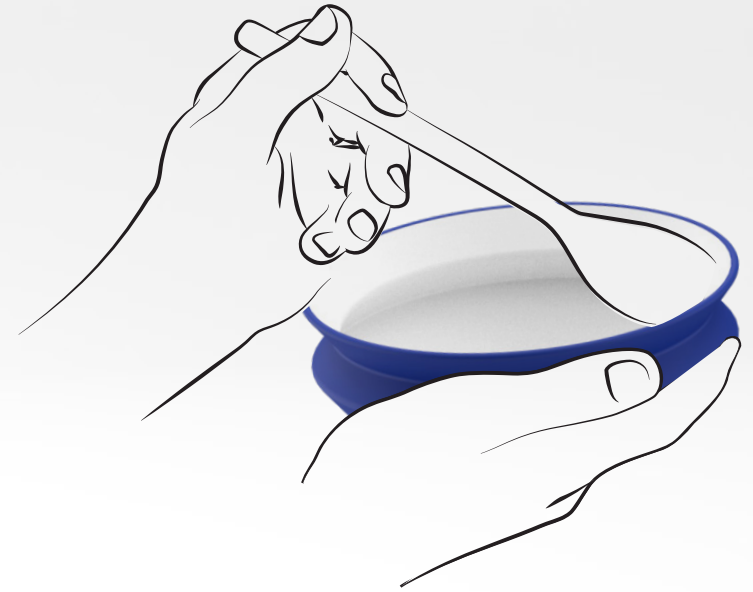


Some of the pieces are multifunctional, working well by themselves or in combination with others. While others actually have different purposes depending on if they are right-side-up or upsidedown.



The great variety of possible combinations and versatility of the pieces are two of **agăpe**'s main added value.

agăpe's ergonomic design has two main objectives: to make each piece easier to hold and eat from & to stack them together for storage space optimization and play with colours combination.



Pile, combine and fit!
Create, play and store!



The nine elements



Messalina
Soup/Salad bowl
25x25x17 cm



Saturnus
Tray/Handhold
36x36x1.8 cm



Neron
Marble tray
22x22x1.8 cm



Pompeii
Oven tray
35.7x24.3x7.5 cm



Vesta
Bowl
15.7x15.7x5.8 cm



Julius
Marble bowl
12x12x7.4 cm



Caracalla
Small bowl
8x8x3.4 cm



Rubicon
Pitcher
10x10x26 cm



Julia Domna
Platter
21x21x4.5 cm



**Saturnus surrounds
Julia Domna, and Caracalla.**



While Saturnus encircles Julia Domna, Neron stands as a dip sauce bowl.



**Julius and Neron's union can be used for finger-
food or to expose the cake on a pedestral.**



